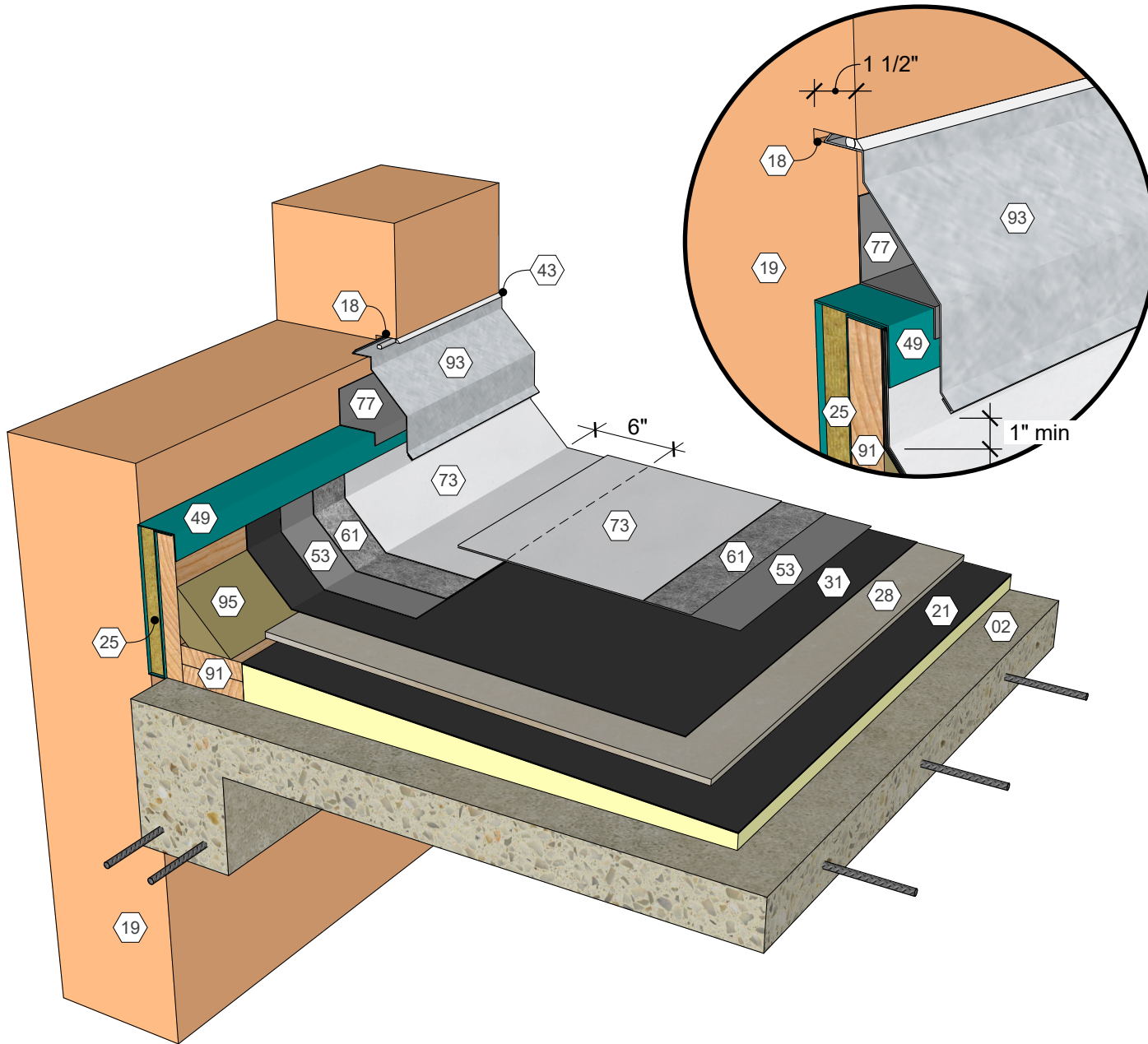


## KEY NOTES

- 01 Metal Deck
- 09 Roof Structure
- 18 Reglet
- 19 Wall Assembly
- 22 Polyisocyanurate Insulation (Fastened or Adhered)
- 25 Compressible Insulation
- 28 Cover Board (Adhered)
- 31 Approved Base Ply Sheet
- 43 Sealant and Backer Rod
- 49 Flexible Vapor Retarder Serving as Insulation Retainer
- 53 AlphaGuard PUMA Base Coat
- 61 AlphaGuard Glass Mat or Permafab
- 73 AlphaGuard PUMA Top Coat
- 77 Membrane Sheet Closure Secured and Adhered to Wall
- 91 Wood Blocking
- 93 Counterflashing
- 95 Cant Strip

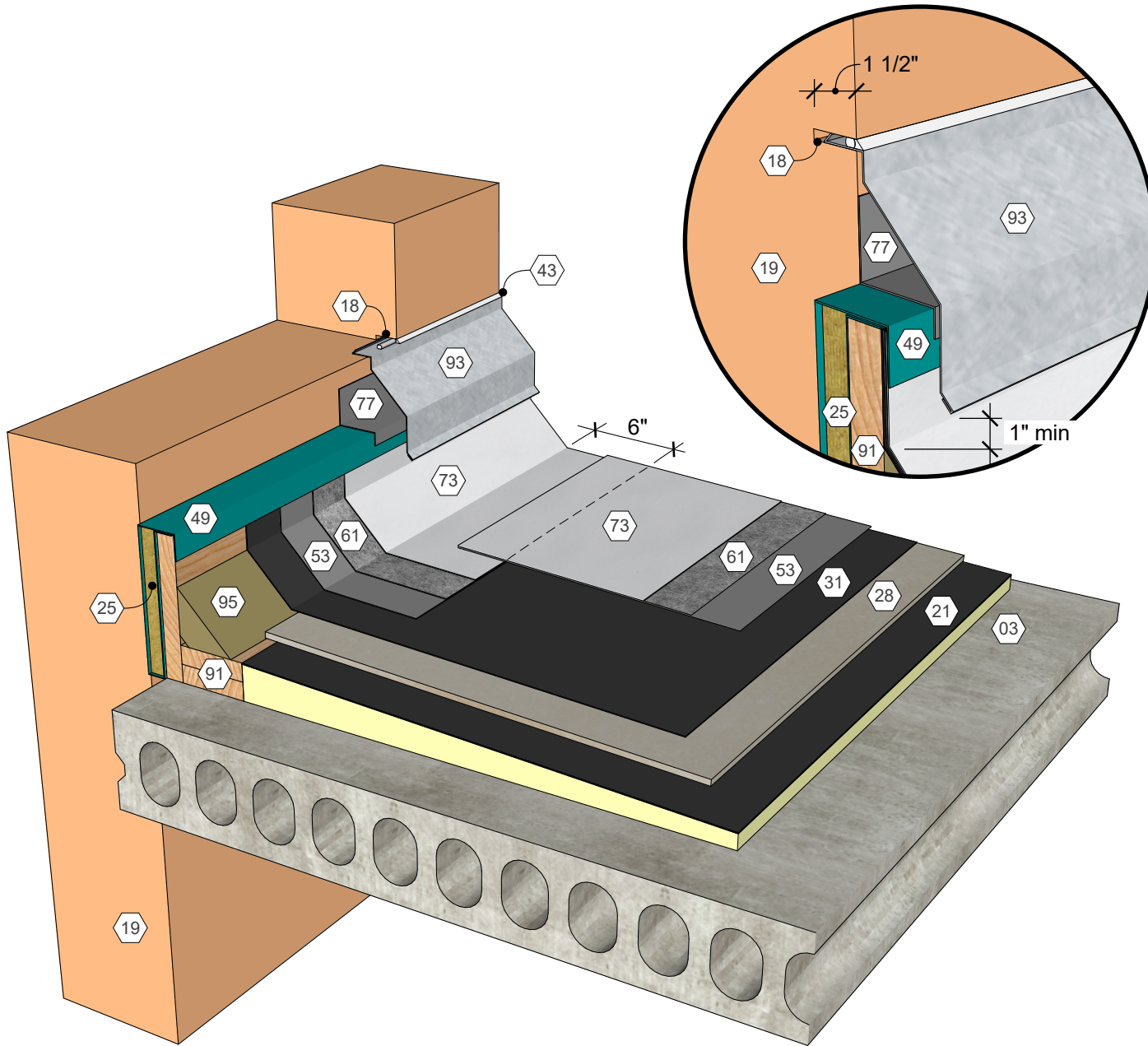
AlphaGuard® PUMA Plus Parapet Wall, Non-Supported Detail, Metal Deck  
Detail 24061



## KEY NOTES

- 02 Structural Concrete Deck
- 18 Reglet
- 19 Wall Assembly
- 21 Polyisocyanurate Insulation (Adhered)
- 25 Compressible Insulation
- 28 Cover Board (Adhered)
- 31 Approved Base Ply Sheet
- 43 Sealant and Backer Rod
- 49 Flexible Vapor Retarder Serving as Insulation Retainer
- 53 AlphaGuard PUMA Base Coat
- 61 AlphaGuard Glass Mat or Permafab
- 73 AlphaGuard PUMA Top Coat
- 77 Membrane Sheet Closure Secured and Adhered to Wall
- 91 Wood Blocking
- 93 Counterflashing
- 95 Cant Strip

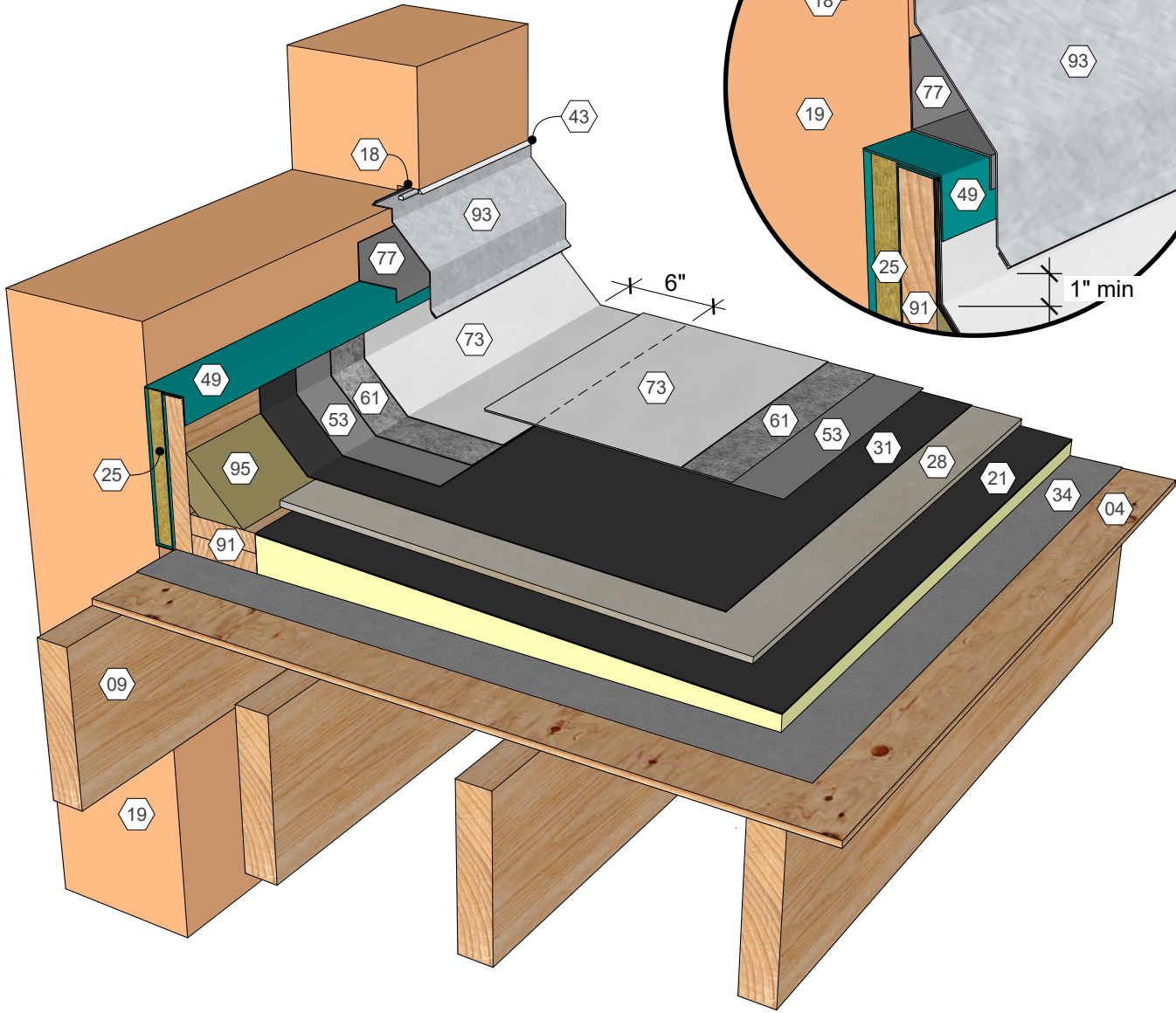
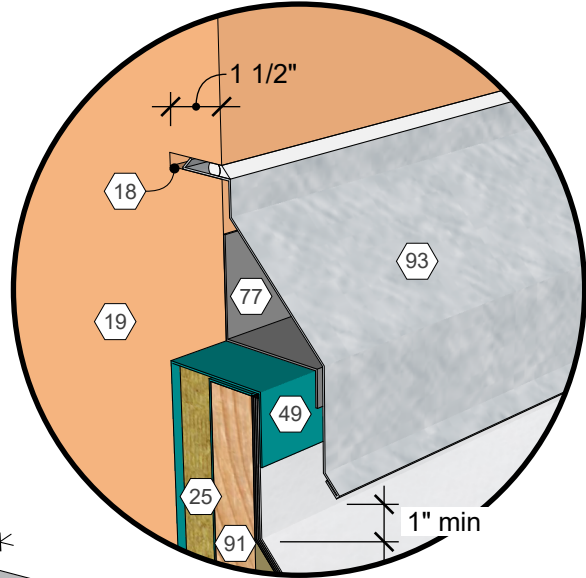
AlphaGuard® PUMA Plus Parapet Wall, Non-Supported Detail, Structural Concrete Deck  
Detail 24062



## KEY NOTES

- 03 Precast Concrete Deck
- 18 Reglet
- 19 Wall Assembly
- 21 Polyisocyanurate Insulation (Adhered)
- 25 Compressible Insulation
- 28 Cover Board (Adhered)
- 31 Approved Base Ply Sheet
- 43 Sealant and Backer Rod
- 49 Flexible Vapor Retarder Serving as Insulation Retainer
- 53 AlphaGuard PUMA Base Coat
- 61 AlphaGuard Glass Mat or Permafab
- 73 AlphaGuard PUMA Top Coat
- 77 Membrane Sheet Closure Secured and Adhered to Wall
- 91 Wood Blocking
- 93 Counterflashing
- 95 Cant Strip

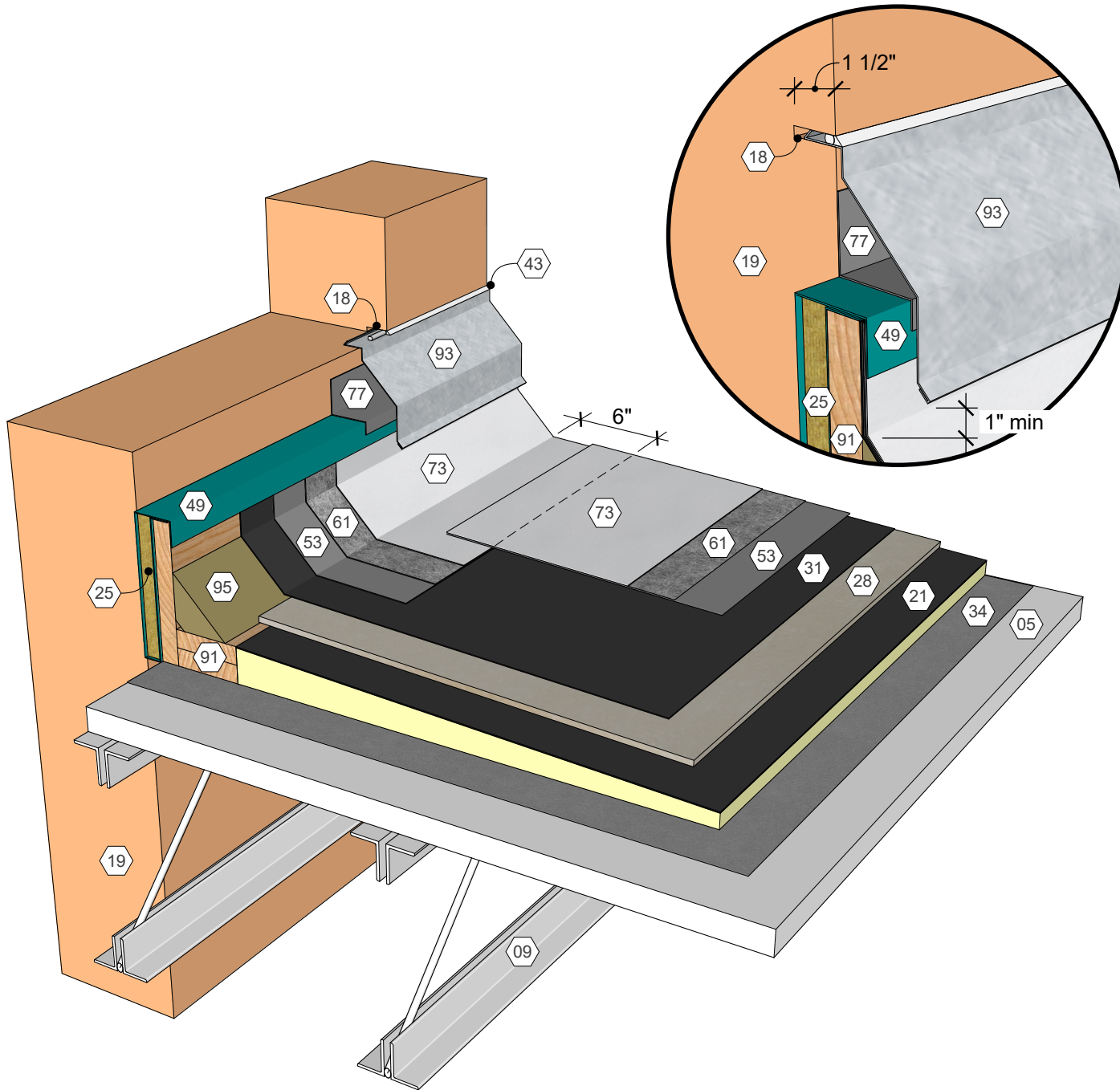
AlphaGuard® PUMA Plus Parapet Wall, Non-Supported Detail, Precast Concrete Deck  
 Detail 24063



**KEY NOTES**

- 04 Wood Deck
- 09 Roof Structure
- 18 Reglet
- 19 Wall Assembly
- 21 Polyisocyanurate Insulation (Adhered)
- 25 Compressible Insulation
- 28 Cover Board (Adhered)
- 31 Approved Base Ply Sheet
- 34 Base Sheet (Fastened)
- 43 Sealant and Backer Rod
- 49 Flexible Vapor Retarder Serving as Insulation Retainer
- 53 AlphaGuard PUMA Base Coat
- 61 AlphaGuard Glass Mat or Permafab
- 73 AlphaGuard PUMA Top Coat
- 77 Membrane Sheet Closure Secured and Adhered to Wall
- 91 Wood Blocking
- 93 Counterflashing
- 95 Cant Strip

AlphaGuard® PUMA Plus Parapet Wall, Non-Supported Detail, Wood Deck  
Detail 24064



### KEY NOTES

- 05 Gypsum Deck
- 09 Roof Structure
- 18 Reglet
- 19 Wall Assembly
- 21 Polyisocyanurate Insulation (Adhered)
- 25 Compressible Insulation
- 28 Cover Board (Adhered)
- 31 Approved Base Ply Sheet
- 34 Base Sheet (Fastened)
- 43 Sealant and Backer Rod
- 49 Flexible Vapor Retarder Serving as Insulation Retainer
- 53 AlphaGuard PUMA Base Coat
- 61 AlphaGuard Glass Mat or Permafab
- 73 AlphaGuard PUMA Top Coat
- 77 Membrane Sheet Closure Secured and Adhered to Wall
- 91 Wood Blocking
- 93 Counterflashing
- 95 Cant Strip

AlphaGuard® PUMA Plus Parapet Wall, Non-Supported Detail, Gypsum Deck  
Detail 24065